



Electrolux
PROFESSIONAL

**Modular Cooking Range Line
700XP 4-Hot Plates Electric Boiling
Top Range on Electric Oven**

ITEM # _____

MODEL # _____

NAME # _____

SIS # _____

AIA # _____



- 371016 (E7ECEH4RE0) 4-hot plate (2,6 kW each)
electric range on electric
oven (6 kW)
- 371128 (E7ECEH4REN) 4-hot plate (2,6 kW each)
electric range on electric
oven (6 kW)

Short Form Specification

Item No. _____

To be installed on stainless steel feet with height adjustment up to 50 mm. Four 2.6 kW cast-iron hot plates hermetically sealed to the one-piece top. Stainless steel oven chamber with 3 levels of runners to accommodate 2/1 GN shelves (2 steam pans). Ribbed oven base plate. Exterior panels in stainless steel with Scotch Brite finish. One piece pressed work top in 1.5 mm thick stainless steel. Right-angled side edges to allow flush-fitting junction between units.

Main Features

- The four round 2.6kW cast-iron plates are hermetically sealed to the one-piece top.
- Base compartment consists of an electric standard oven with thick oven door for heat insulation, positioned beneath the base plate.
- Electric oven to have separate thermostats for top and bottom heating elements.
- Stainless steel oven chamber with 3 levels of runners to accommodate 2/1 GN shelves (2 steam pans).
- Ribbed enamelled steel oven base plate.
- The special design of the control knob system guarantees against water infiltration.
- IPx4 water protection.
- Oven thermostat adjustable from 100 °C to 300 °C.

Construction

- All exterior panels in Stainless Steel with Scotch Brite finishing.
- One piece pressed 1.5 mm work top in Stainless steel.
- Model has right-angled side edges to allow flush fitting joints between units, eliminating gaps and possible dirt traps.

Included Accessories

- 1 of GN2/1 chrome grid for static oven PNC 164250

Optional Accessories

- GN2/1 chrome grid for static oven PNC 164250
- Junction sealing kit PNC 206086
- 4 wheels, 2 swivelling with brake (700/900XP). It is mandatory to install with base supports for feet/wheels. PNC 206135
- Flanged feet kit PNC 206136
- Frontal kicking strip for concrete installation, 800mm PNC 206148
- Frontal kicking strip for concrete installation, 1000mm PNC 206150
- Frontal kicking strip for concrete installation, 1200mm PNC 206151
- Frontal kicking strip for concrete installation, 1600mm PNC 206152
- Frontal kicking strip, 800mm (not for refr-freezer base) PNC 206176
- Frontal kicking strip, 1000mm (not for refr-freezer base) PNC 206177
- Frontal kicking strip, 1200mm (not for refr-freezer base) PNC 206178
- Frontal kicking strip, 1600mm (not for refr-freezer base) PNC 206179

APPROVAL: _____



Experience the Excellence
www.electroluxprofessional.com



Electrolux
PROFESSIONAL

Modular Cooking Range Line 700XP 4-Hot Plates Electric Boiling Top Range on Electric Oven

- Extension pipe for oil drainage for 15lt, 18lt, 23lt fryers (only for 371016) PNC 206209
- 4 feet for concrete installation PNC 206210
- Pair of side kicking strips PNC 206249
- Pair of side kicking strips for concrete installation PNC 206265
- Water coulum with swivel arm (water column extension not included) PNC 206289
- Water column extension for 700 line PNC 206291
- Chimney upstand, 800mm PNC 206304
- Right and left side handrails PNC 206307
- BACK HANDRAIL 800 MM - MARINE PNC 206308
- Base support for feet or wheels - 800mm (700/900) PNC 206367
- Base support for feet or wheels - 1200mm (700/900) PNC 206368
- Base support for feet or wheels - 1600mm (700/900) PNC 206369
- Base support for feet or wheels - 2000mm (700/900) PNC 206370
- Rear paneling - 800mm (700/900) PNC 206374
- Rear paneling - 1000mm (700/900) PNC 206375
- Rear paneling - 1200mm (700/900) PNC 206376
- Chimney grid net, 400mm PNC 206400
- 2 side covering panels, h=700mm, d=700mm PNC 216000
- Frontal handrail 800mm PNC 216047
- Frontal handrail 1200mm PNC 216049
- Frontal handrail 1600mm PNC 216050
- Large handrail - portioning shelf, 800mm PNC 216186
- Unclogging rod for 15lt drainage pipe (only for 371128) PNC 921695

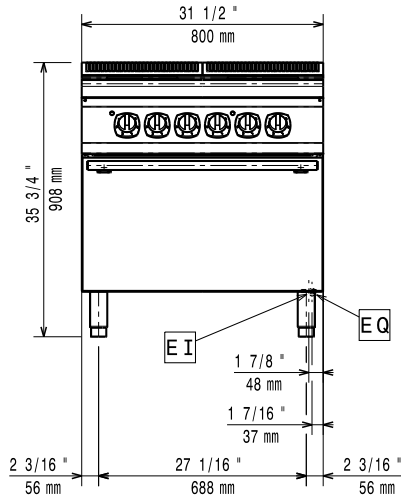


Modular Cooking Range Line
700XP 4-Hot Plates Electric Boiling Top Range on Electric Oven

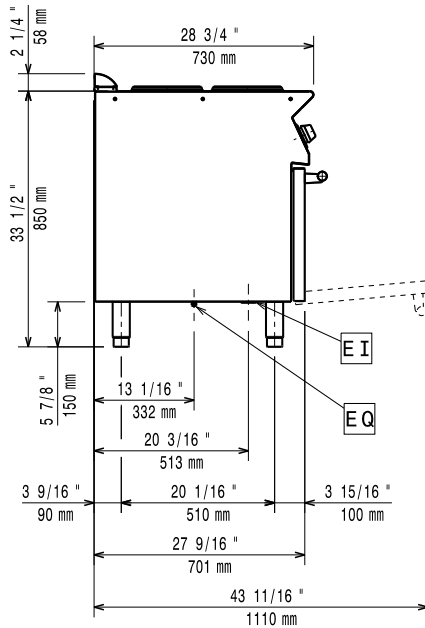
The company reserves the right to make modifications to the products without prior notice. All information correct at time of printing.

2025.08.07

Front

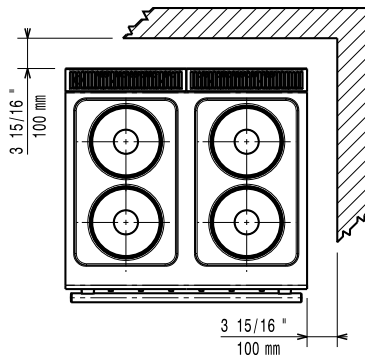


Side



EI = Electrical inlet (power)
 EQ = Equipotential screw

Top



Electric

Supply voltage:

371016 (E7ECEH4RE0)	380-400 V/3 ph/50-60 Hz
371128 (E7ECEH4REN)	230 V/3 ph/50/60 Hz

Predisposed for:

Total Watts: 16.4 kW

Key Information:

If appliance is set up or next to or against temperature sensitive furniture or similar, a safety gap of approximately 150 mm should be maintained or some form of heat insulation fitted.

Oven working Temperature: 100 °C MIN; 300 °C MAX

Oven Cavity Dimensions

(width): 540 mm

Oven Cavity Dimensions

(height): 300 mm

Oven Cavity Dimensions

(depth): 650 mm

External dimensions, Width: 800 mm

External dimensions, Depth: 730 mm

External dimensions, Height: 850 mm

Net weight: 80 kg

Shipping weight: 95 kg

Shipping height:

371016 (E7ECEH4RE0) 1080 mm

371128 (E7ECEH4REN) 1140 mm

Shipping width:

820 mm

Shipping depth:

860 mm

Shipping volume:

371016 (E7ECEH4RE0) 0.76 m³

371128 (E7ECEH4REN) 0.8 m³

Certification group:

371016 (E7ECEH4RE0) EH740

371128 (E7ECEH4REN) N7CE1

Front Plates Power:

2.6 - 2.6 kW

Back Plates Power:

2.6 - 2.6 kW

Front Plates dimensions:

Ø 230 Ø 230

Back Plates dimensions:

Ø 230 Ø 230